

S450 — SPECIFICATIONS



MACHINE RATING	S450
Rated operating capacity (Bobcat)	608 kg
Tipping load	1215 kg
Pump capacity	64.00 L/min
System relief at quick couplers	22.4-23.1 MPa
Max. travel speed (high range - option)	14.8 km/h
Max. travel speed (low range)	11.4 km/h

ENGINE	
Make / Model	Kubota / V2203-M-DI-E2B-BC-3
Fuel	Diesel
Cooling	Liquid
Power at 2400 RPM	36.4 kW
Torque at 1425 RPM (SAE J1 995 Gross)	150.0 Nm
Number of cylinders	4
Displacement	2196 cm ³
Fuel tank	54.50 L

WEIGHTS	
Operating weight	2240 kg
Shipping weight	2052 kg

CONTROLS	
Vehicle steering	Direction and speed controlled by two hand levers
Loader hydraulics tilt and lift	Separate foot pedals or optional Advanced Control System (ACS) or Selectable Joystick Controls (SJC)
Front auxiliary (standard)	Electrical switch on right-hand steering lever

DRIVE SYSTEM	
Transmission	Infinitely variable tandem hydrostatic piston pumps, driving two fully reversing hydrostatic motors

STANDARD FEATURES	
<ul style="list-style-type: none"> Cushion suspension seat Automatically activated glow plugs Auxiliary hydraulics: variable flow/maximum flow Bob-Tach™ frame Bobcat Interlock Control System (BICS) 10 x 16.5, 10-ply, Heavy duty tyres Deluxe operator cab Includes interior cab foam, side, top and rear windows, Deluxe wire harness, dome light, and electrical power port¹ Electrically activated proportional front auxiliary hydraulics Engine/hydraulics system shutdown 	<ul style="list-style-type: none"> Instrumentation Lift arm support Noise reduction kit Operating lights, front and rear Parking brake Seat belt Seat bar Spark arrestor muffler CE certification Warranty: 12 months or 2000 hours (whichever occurs first)

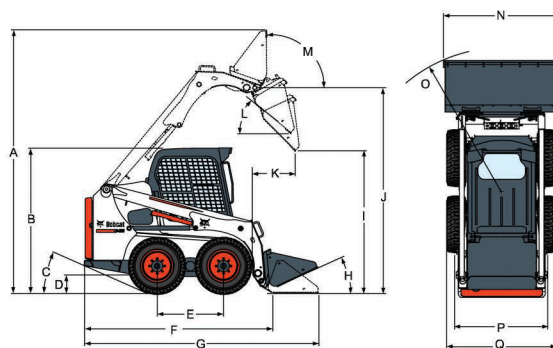
1. Roll Over Protective Structure (ROPS) – meets requirements of SAE-J1040 and ISO 3471; Falling Object Protective Structure (FOPS) – meets requirements of SAE-J1043 and ISO 3449, Level I

OPTIONS	
<ul style="list-style-type: none"> Deluxe instrument panel Power Bob-Tach™ Cab enclosure Cab enclosure with heating Cab enclosure with HVAC Hydraulic bucket positioning (including ON/OFF switch) 10 x 16.5, 10-ply, Severe duty tyres 10 x 16.5, 12-ply, Severe duty tyres, poly filled 	<ul style="list-style-type: none"> 10 x 16.5, Solid Flex tyres Advanced Control System (ACS) Selectable Joystick Controls (SJC) Air ride seat with 2 point seat belt Radio Strobe Back-up alarm Beacon

ENVIRONMENTAL	
Operator LpA(98/37 & 474-1)	87 dB(A)
Noise level LWA(EU Directive 2000/14/EC)	101 dB(A)
Whole body vibration (ISO 2631-1) High speed	1.29 ms ⁻²
Whole body vibration uncertainty	0.52 ms ⁻²
Hand-arm vibration (ISO 5349-1) High speed	1.73 ms ⁻²

DIMENSION

All dimensions in mm.



A	3558.0 mm	J	2781.0 mm
B	1976.0 mm	K	587.0 mm
C	23°	L	40°
D	214.0 mm	M	96°
E	900.0 mm	N	1575.0 mm
F	2502.0 mm	O	1940.6 mm
G	3172.0 mm	P	1221.7 mm
H	26°	Q	1490.0 mm
I	2157.0 mm		

ATTACHMENTS

Angle Brooms	Planers
Augers	Root Grapples
Backhoes	Scarifiers
Bale Forks	Scrapers
Breakers	Seeders
Brush Saws	Skeleton Buckets
Bucket Adapters	Snow & Light Material Buckets
Concrete Mixers	Snow Blades
Construction / Industrial Buckets	Snowblowers
Cutter Crushers	Snow Pushers
Diggers	Snow V-Blades
Dozer Blades	Sod Layers
Dumping Hoppers	Soil Conditioners
Fertilizer Buckets	Spare Wheels
Flail Cutters	Spreaders
General Purpose Buckets	Stabilizers
Graders	Sweepers
Grapples, Industrial	Tillers
Landplanes	Tilt-Tatch
Landscape Rakes	Tracks
Laser Equipment	Trenchers
Low Profile Buckets	Utility Forks
Mowers	Utility Frames
Packer Wheels	Vibratory Rollers
Pallet Fork Accessories	Water Kits
Pallet Forks, Hydraulic	Whisker Brooms
Pallet Forks, Standard	

Specifications and design are subject to change without notice. Pictures of Bobcat products may show other than standard equipment.



hire@pjpuke.com
www.pjpuke.com



Bobcat®

www.bobcat.eu

